



Specification Sheet

Project: **Marriott International - Courtyard**

ALCO-1904 Door

DOOR	<i>Dimensions:</i>	Various Widths and Heights, 1-1/4" Thick See Below for Dimensions and R.O.
	<i>Design:</i>	Double Sided Mirror Door 1" Anodized Aluminum Frame Single Swing with Hinges, Pull, and Latch

JAMB	<i>Style:</i>	ALCO-41F Jamb with Applied Stop on One Leg
	<i>Species:</i>	4-7/8" Flat Jamb, Primed Fingerjoint Wood
	<i>Dimensions:</i>	See attached

HARDWARE	<i>Hinges:</i>	Three(3) ALCO-124FH Flag Hinges Brushed Nickel Finish Hinges are handed with tapered screw holes for both door and frame, surface mount
	<i>Closing:</i>	ALCO-3W Ball Catch, Brushed Chrome Finish ALCO-4000128 Pull, Brushed Stainless Steel

CASING	<i>Style:</i>	ALCO-63 Custom Casing
	<i>Species:</i>	Primed Fingerjoint Wood
	<i>Dimensions:</i>	3/8" x 1-1/2", One(1) Side Only

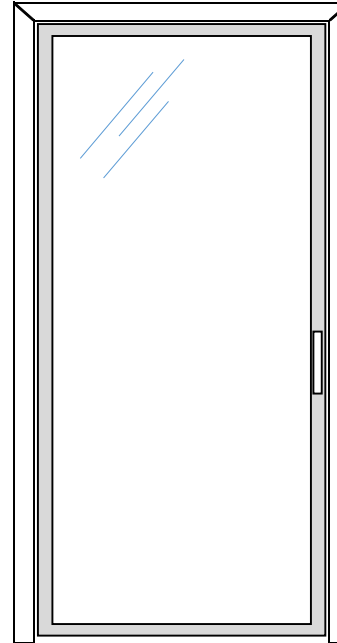


Illustration not to scale

Door shown is a Right Hand

****See Attached Pages For ALL Details****

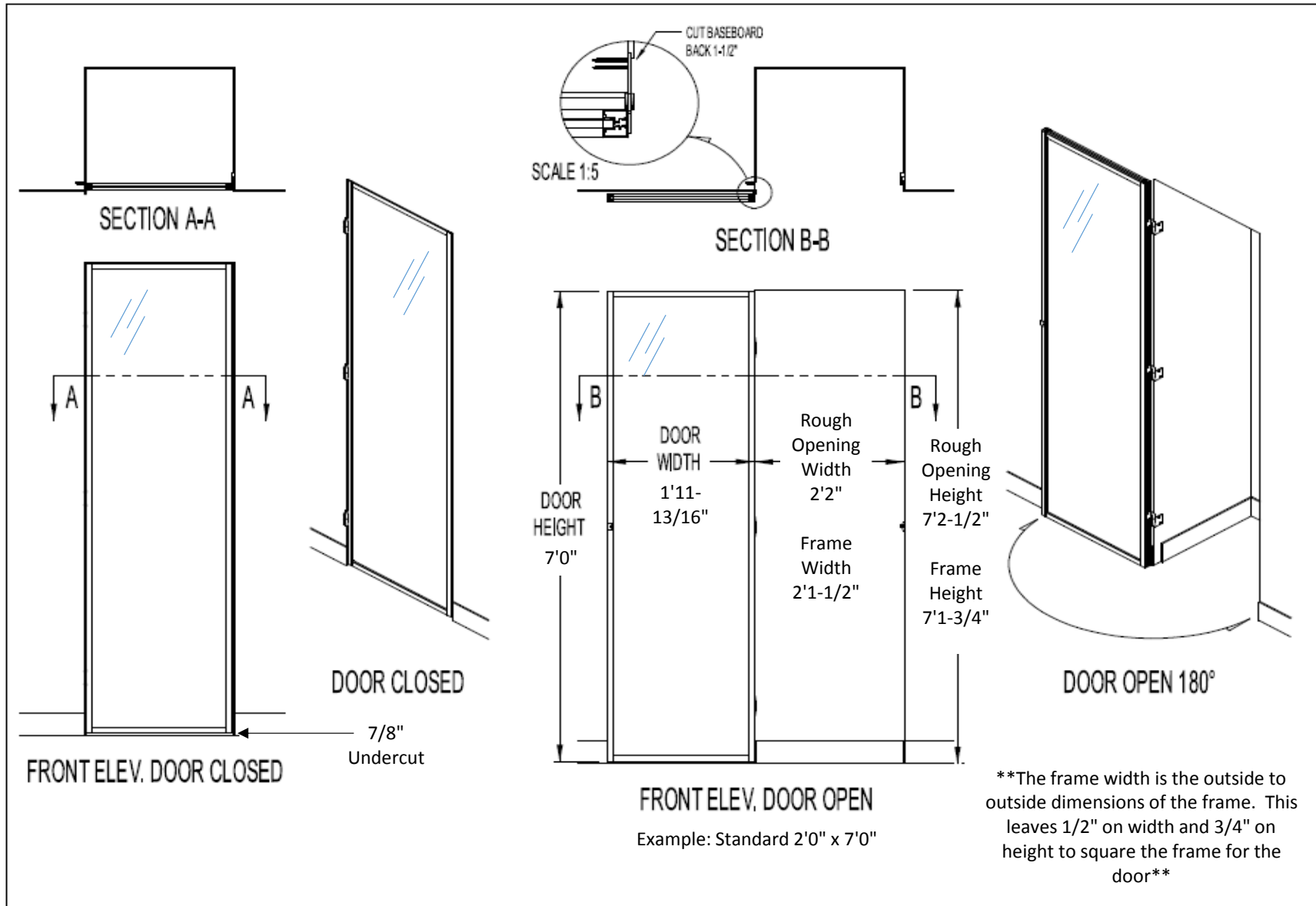
Nominal Width	2'0"	2'2"	2'4"	2'6"	2'8"	3'0"
Rough Opening Width	2'2"	2'4"	2'6"	2'8"	2'10"	3'2"

Nominal Height	6'8"	7'0"
Rough Opening Height	6'10-1/2"	7'2-1/2"

Standard Size(s)
2'0" x 7'0"
2'4" x 7'0"

Sign Off When Approved:

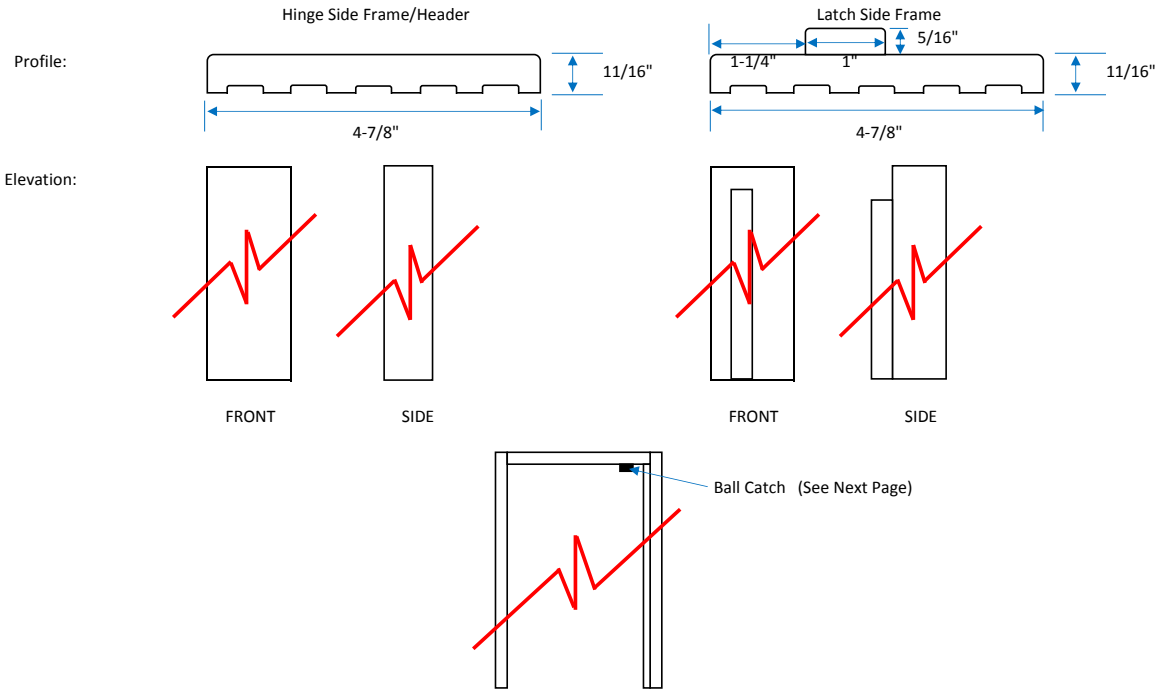
****The "rough opening" is the opening in which the frame will fit in. This could be a stud opening or a drywall opening****



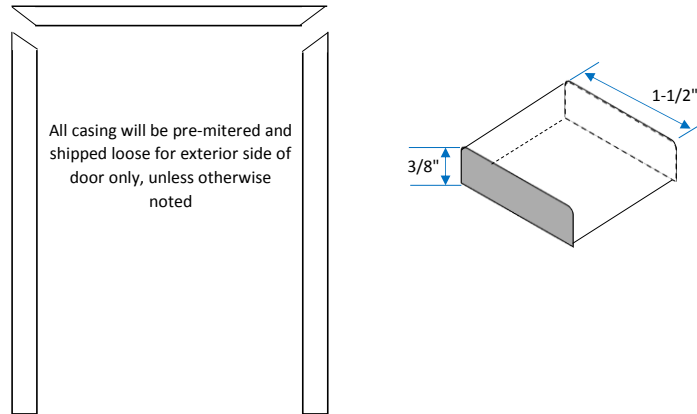
- NOTES:
- 1.) Aluminum Frame is 1-1/4" Thick with a 1" Face.
 - 2.) All Hardware will be surface mounted - no mortise pockets.

- 3.) Door has two (2) mirrors 1/8" thick with a 3MM safety backing.
- 4.) Holes will be pre-drilled for hinges and pull in the stiles.

ALCO-41F JAMB WITH STOP ON LATCH SIDE ONLY

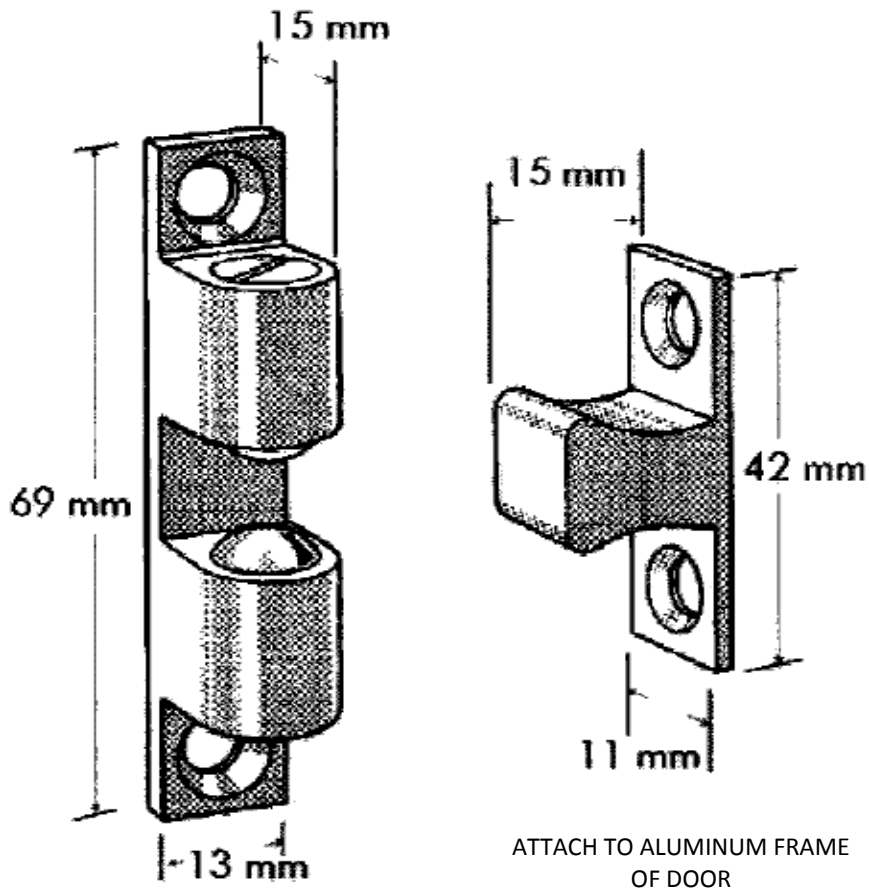


ALCO-63 CUSTOM CASING



- NOTES:
- 1.) ALCO-41F Jamb will have no preps for hinges or latches - all hardware will be surface mounted.
 - 2.) Frame will be shipped KD, pre-cut to the sizes needed.
 - 3.) All jambs and casing will be factory primed, but need to be finished painted after installation.

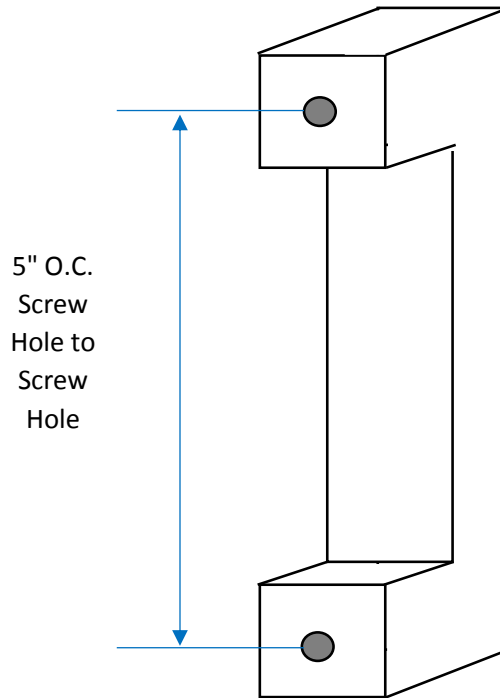
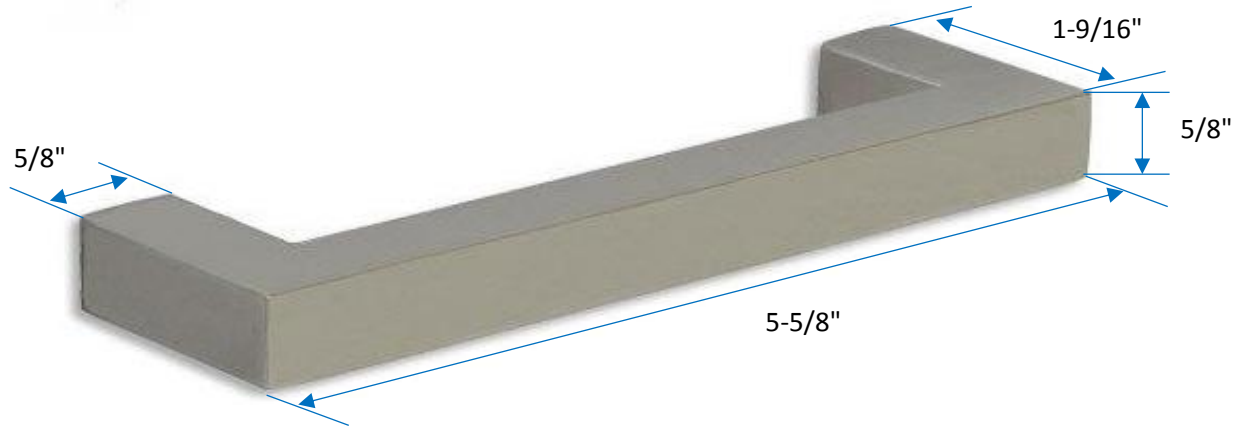
ALCO-3W BALL CATCH



ATTACH TO HEADER PIECE OF THE FRAME

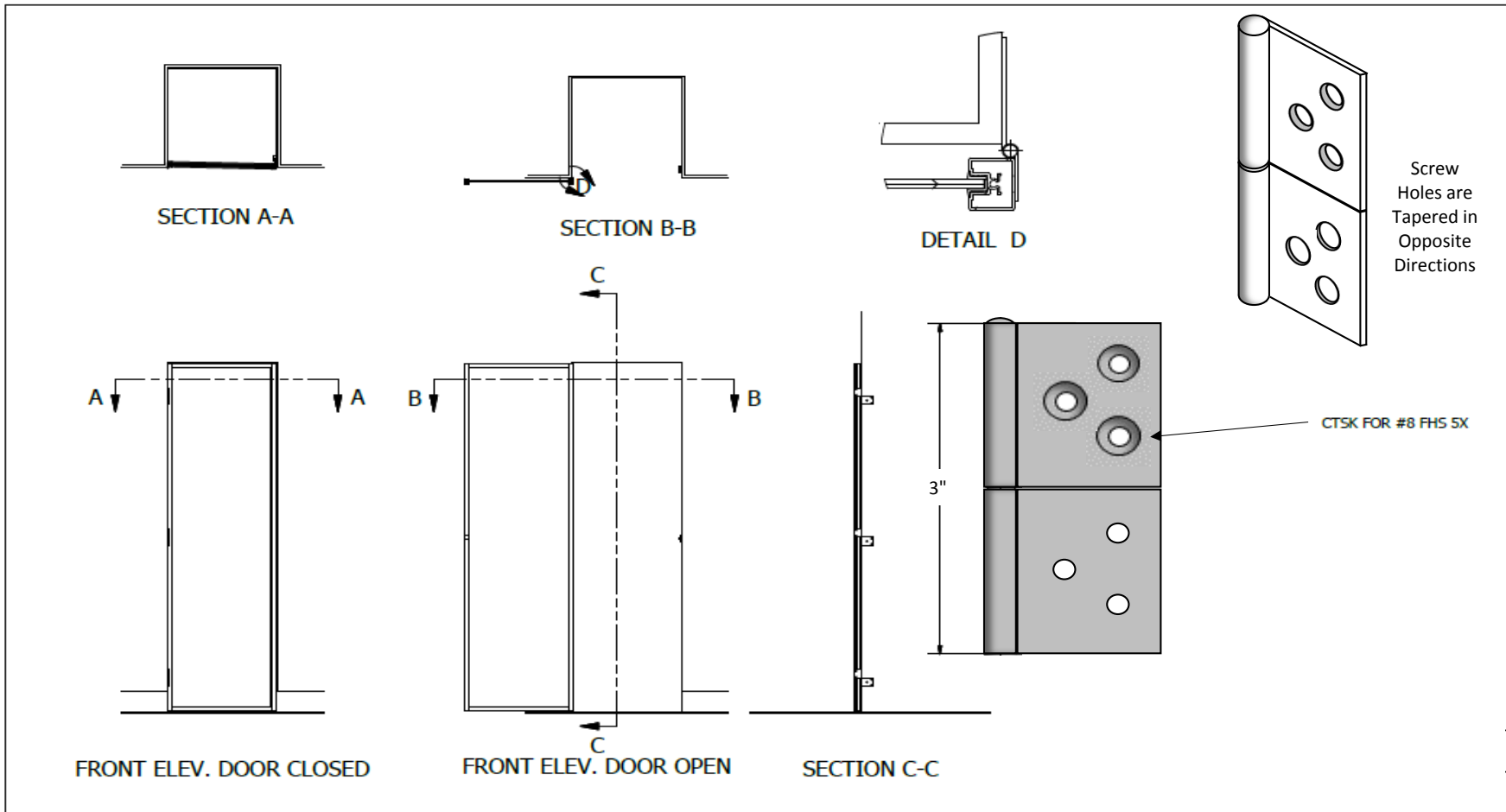
- NOTES:
- 1.) Includes screws for installation into door and frame.
 - 2.) Surface mount to both door and frame.
 - 3.) Ball Catch will be a brushed chrome finish.

ALCO-4000128 HAND PULL



- NOTES:
- 1.) Screw holes for hand pull will be pre-drilled in aluminum stile of door.
 - 2.) Center of handle will be approximately 36" from bottom of door slab.
 - 3.) Pull will be a brushed stainless steel finish.

ALCO-124FH FLAG HINGE



- NOTES:
- 1.) Screw holes will be pre-drilled in stile of door.
 - 2.) Hinge is surface mounted to both door and jamb.
 - 3.) Hinges will be handed - Right and Left.
 - 4.) Knuckle of hinge is to overhang the stile of the door.